

# SPIROTECH SPECIFICATION SHEET



Product: SpiroTrap 22 mm Compression fitting

Type:

UE022WJ

Date:

3/18/2021

Customer:

Project:

Reference:

## Design criteria

Medium:	Water / glycol (max 50%)	
Max. flow velocity:	1	m/s
Max. flow rate:	1.30	m <sup>3</sup> /h
Max. pressure:	10	bar-g
Max. temperature:	110	°C
Design standard:	EN 13445	

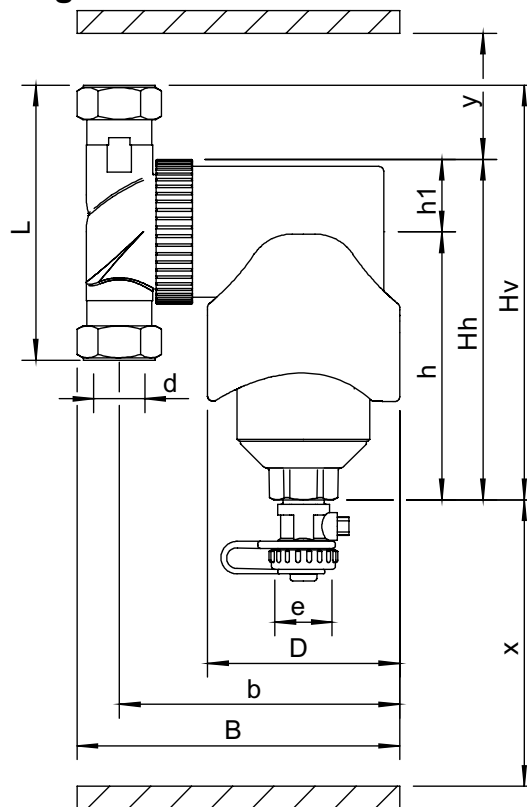
## Testing and quality assurance

Leakage test:	no
Test certificate:	no
Design and manufacturing acc. 2014/68/EU:	yes
Material certificates (structural parts):	no
Drawing:	no

## Construction materials

Body:	Brass
Swivel:	Brass
Drain valve:	Brass
Spirotube Tube:	Copper
Spirotube Wire:	Copper
Spirotube Solder:	Tin(SnCu3)
Magnet:	Neodymium

## Drawing



## Dimensions

d:	22 mm
h:	117 mm
Hh:	149 mm
Hv:	177 mm
h1:	32 mm
L:	112 mm
D:	84 mm
B:	141 mm
b:	123 mm
x:	>110 mm
y:	>50 mm
e:	G3/4

Volume 0.36 ltr

Dry weight (approx) 2.2 kg

Subject to changes

# SPIROTECH SPECIFICATION SHEET



Product: SpiroTrap 28 mm Compression fitting

Type:

UE028WJ

Date:

3/18/2021

Customer:

Project:

Reference:

## Design criteria

Medium:	Water / glycol (max 50%)	
Max. flow velocity:	1	m/s
Max. flow rate:	2.00	m <sup>3</sup> /h
Max. pressure:	10	bar-g
Max. temperature:	110	°C
Design standard:	EN 13445	

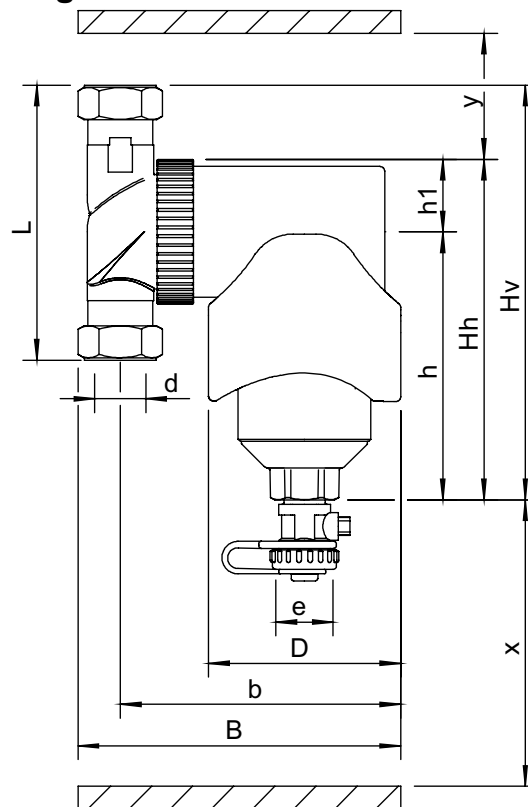
## Testing and quality assurance

Leakage test:	no
Test certificate:	no
Design and manufacturing acc. 2014/68/EU:	yes
Material certificates (structural parts):	no
Drawing:	no

## Construction materials

Body:	Brass
Swivel:	Brass
Drain valve:	Brass
Spirotube Tube:	Copper
Spirotube Wire:	Copper
Spirotube Solder:	Tin(SnCu3)
Magnet:	Neodymium

## Drawing



## Dimensions

d:	28 mm
h:	117 mm
Hh:	149 mm
Hv:	177 mm
h1:	32 mm
L:	112 mm
D:	84 mm
B:	149 mm
b:	127 mm
x:	>110 mm
y:	>50 mm
e:	G3/4

Volume 0.39 ltr

Dry weight (approx) 2.3 kg

Subject to changes

# SPIROTECH SPECIFICATION SHEET



Product: SpiroTrap Rp<sup>3/4</sup>" Threated fitting

Type:

UE075WJ

Date:

3/18/2021

Customer:

Project:

Reference:

## Design criteria

Medium:	Water / glycol (max 50%)	
Max. flow velocity:	1	m/s
Max. flow rate:	1.30	m <sup>3</sup> /h
Max. pressure:	10	bar-g
Max. temperature:	110	°C
Design standard:	EN 13445	

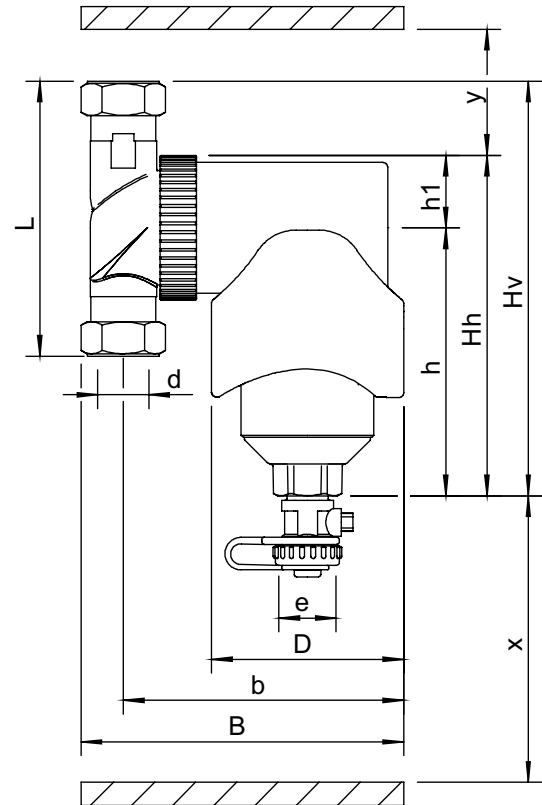
## Testing and quality assurance

Leakage test:	no
Test certificate:	no
Design and manufacturing acc. 2014/68/EU:	yes
Material certificates (structural parts):	no
Drawing:	no

## Construction materials

Body:	Brass
Swivel:	Brass
Drain valve:	Brass
Spirotube Tube:	Copper
Spirotube Wire:	Copper
Spirotube Solder:	Tin(SnCu3)
Magnet:	Neodymium

## Drawing



## Dimensions

d:	Rp <sup>3/4</sup> "
h:	117 mm
Hh:	149 mm
Hv:	177 mm
h1:	32 mm
L:	90 mm
D:	84 mm
B:	142 mm
b:	125 mm
x:	>110 mm
y:	>50 mm
e:	G3/4

Volume 0.36 ltr

Dry weight (approx) 2.2 kg

Subject to changes

# SPIROTECH SPECIFICATION SHEET



Product: SpiroTrap Rp1" Threaded fitting

Type:

UE100WJ

Date:

6/21/2021

Customer:

Project:

Reference:

## Design criteria

Medium:	Water / glycol (max 50%)	
Max. flow velocity:	1	m/s
Max. flow rate:	2.00	m <sup>3</sup> /h
Max. pressure:	10	bar-g
Max. temperature:	110	°C
Design standard:	EN 13445	

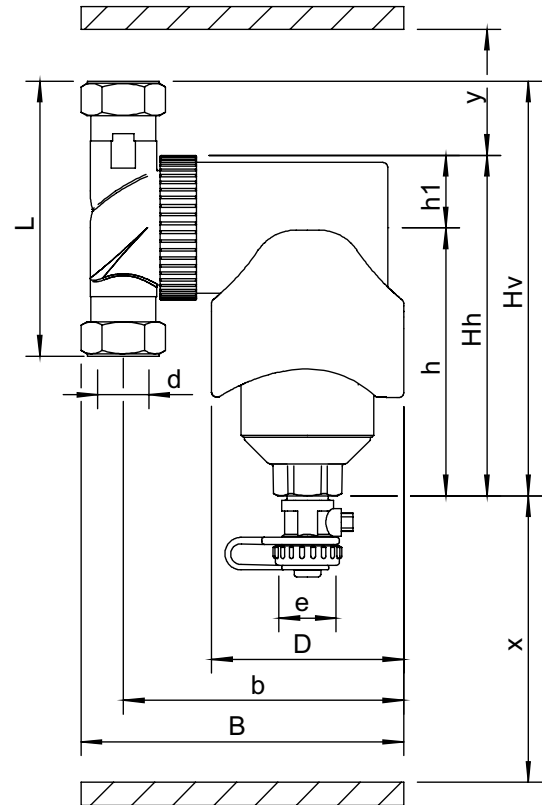
## Testing and quality assurance

Leakage test:	no
Test certificate:	no
Design and manufacturing acc. 2014/68/EU:	yes
Material certificates (structural parts):	no
Drawing:	no

## Construction materials

Body:	Brass
Swivel:	Brass
Drain valve:	Brass
Spirotube Tube:	Copper
Spirotube Wire:	Copper
Spirotube Solder:	Tin(SnCu3)
Magnet:	Neodymium

## Drawing



## Dimensions

d:	Rp1"
h:	117 mm
Hh:	149 mm
Hv:	162 mm
h1:	32 mm
L:	90 mm
D:	84 mm
B:	152 mm
b:	129 mm
x:	>110 mm
y:	>50 mm
e:	G3/4

Volume 0.39 ltr

Dry weight (approx) 2.3 kg

Subject to changes

# SPIROTECH SPECIFICATION SHEET



Product: SpiroTrap Rp1 1/4" Threaded fitting

Type:

UE125WJ

Date:

6/21/2021

Customer:

Project:

Reference:

## Design criteria

Medium:	Water / glycol (max 50%)	
Max. flow velocity:	1	m/s
Max. flow rate:	3.60	m <sup>3</sup> /h
Max. pressure:	10	bar-g
Max. temperature:	110	°C
Design standard:	EN 13445	

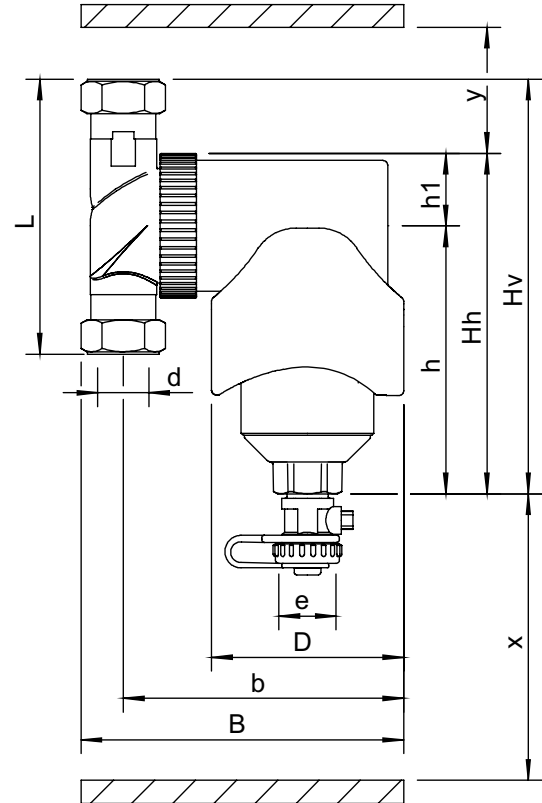
## Testing and quality assurance

Leakage test:	no
Test certificate:	no
Design and manufacturing acc. 2014/68/EU:	yes
Material certificates (structural parts):	no
Drawing:	no

## Construction materials

Body:	Brass
Swivel:	Brass
Drain valve:	Brass
Spirotube Tube:	Copper
Spirotube Wire:	Copper
Spirotube Solder:	Tin(SnCu3)
Magnet:	Neodymium

## Drawing



## Dimensions

d:	Rp1 1/4"
h:	160 mm
Hh:	210 mm
Hv:	224 mm
h1:	50 mm
L:	128 mm
D:	84 mm
B:	163 mm
b:	138 mm
x:	>110 mm
y:	>50 mm
e:	G3/4

Volume 0.75 ltr

Dry weight (approx) 3.6 kg

Subject to changes

# SPIROTECH SPECIFICATION SHEET



Product: SpiroTrap Rp1 1/2" Threaded fitting

Type:

UE150WJ

Date:

6/21/2021

Customer:

Project:

Reference:

## Design criteria

Medium:	Water / glycol (max 50%)	
Max. flow velocity:	1	m/s
Max. flow rate:	5.00	m <sup>3</sup> /h
Max. pressure:	10	bar-g
Max. temperature:	110	°C
Design standard:	EN 13445	

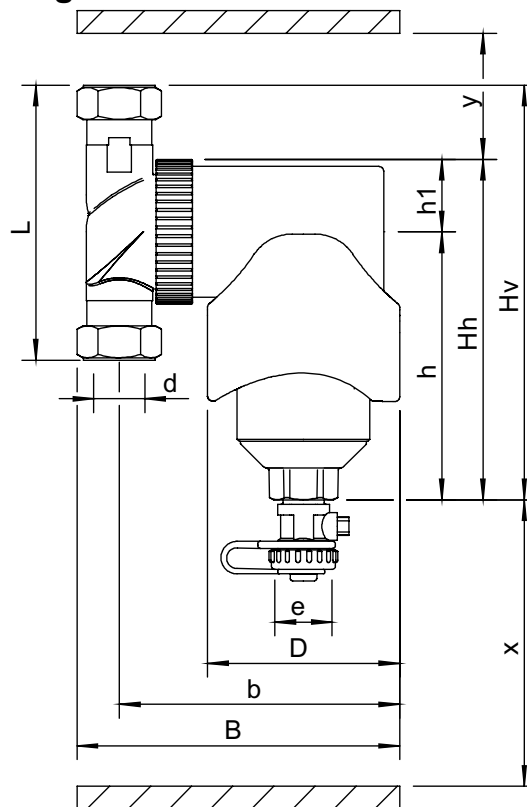
## Testing and quality assurance

Leakage test:	no
Test certificate:	no
Design and manufacturing acc. 2014/68/EU:	yes
Material certificates (structural parts):	no
Drawing:	no

## Construction materials

Body:	Brass
Swivel:	Brass
Drain valve:	Brass
Spirotube Tube:	Copper
Spirotube Wire:	Copper
Spirotube Solder:	Tin(SnCu3)
Magnet:	Neodymium

## Drawing



## Dimensions

d:	Rp1 1/2"
h:	160 mm
Hh:	210 mm
Hv:	224 mm
h1:	50 mm
L:	128 mm
D:	84 mm
B:	168 mm
b:	141 mm
x:	>110 mm
y:	>50 mm
e:	G3/4

Volume 0.75 ltr

Dry weight (approx) 3.7 kg

Subject to changes

# SPIROTECH SPECIFICATION SHEET



Product: SpiroTrap Rp2" Threated fitting

Type:

UE200WJ

Date:

6/21/2021

Customer:

Project:

Reference:

## Design criteria

Medium:	Water / glycol (max 50%)	
Max. flow velocity:	1	m/s
Max. flow rate:	7.50	m <sup>3</sup> /h
Max. pressure:	10	bar-g
Max. temperature:	110	°C
Design standard:	EN 13445	

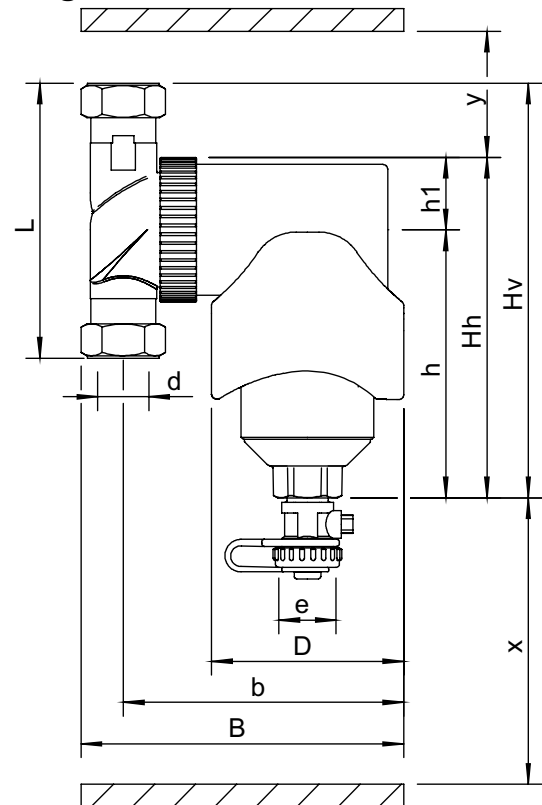
## Testing and quality assurance

Leakage test:	no
Test certificate:	no
Design and manufacturing acc. 2014/68/EU:	yes
Material certificates (structural parts):	no
Drawing:	no

## Construction materials

Body:	Brass
Swivel:	Brass
Drain valve:	Brass
Spirotube Tube:	Copper
Spirotube Wire:	Copper
Spirotube Solder:	Tin(SnCu3)
Magnet:	Neodymium

## Drawing



## Dimensions

d:	Rp2"
h:	160 mm
Hh:	210 mm
Hv:	224 mm
h1:	50 mm
L:	128 mm
D:	84 mm
B:	183 mm
b:	148 mm
x:	>110 mm
y:	>50 mm
e:	G3/4

Volume 0.75 ltr

Dry weight (approx) 3.9 kg

Subject to changes